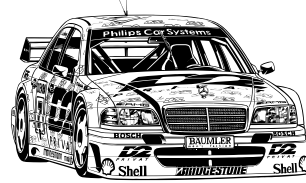


Parts Breakdown

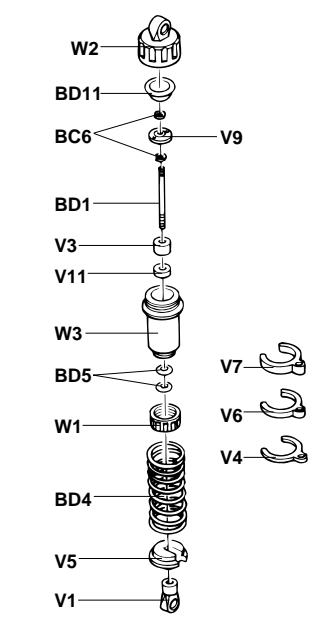
AMG MERCEDES-BENZ C-CLASS DTM D2



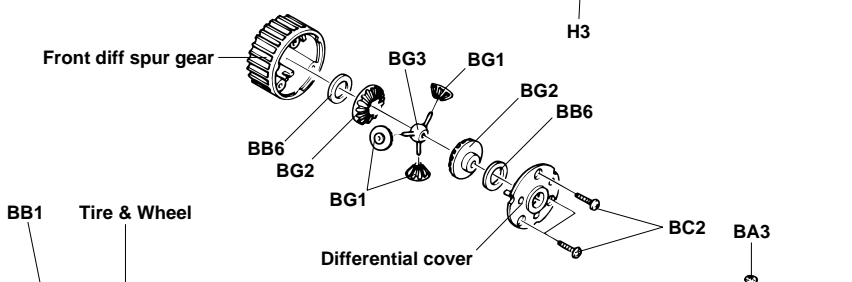
ITEM 58139

Optional 3 step speed controller is included in kit exported to some countries and it is available separately. Item No. is 9415001 speed control cover: 1805172.

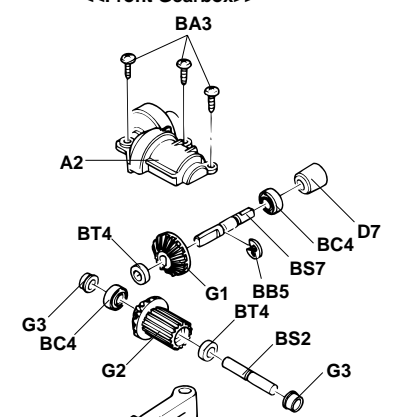
<<Damper>>



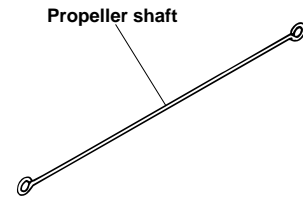
<<Front differential>>



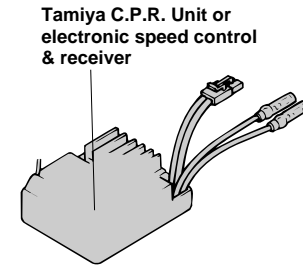
<<Front Gearbox>>



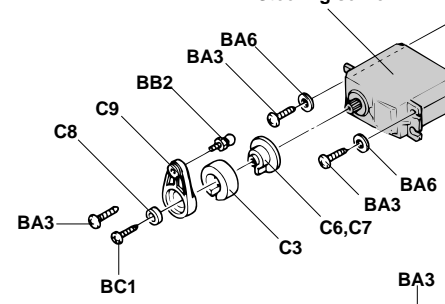
Propeller shaft



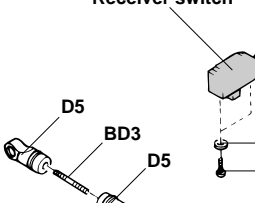
Tamiya C.P.R. Unit or electronic speed control & receiver



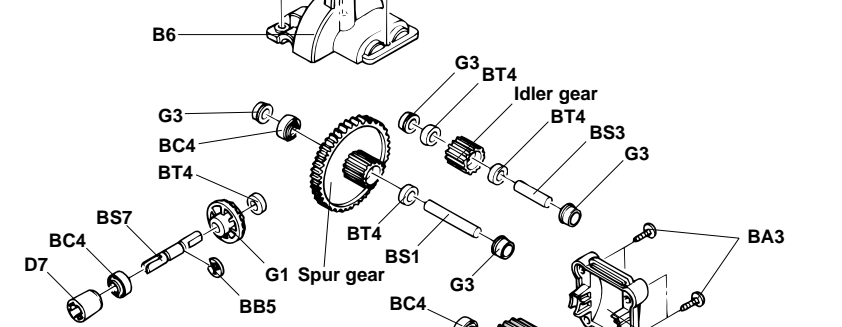
Steering servo



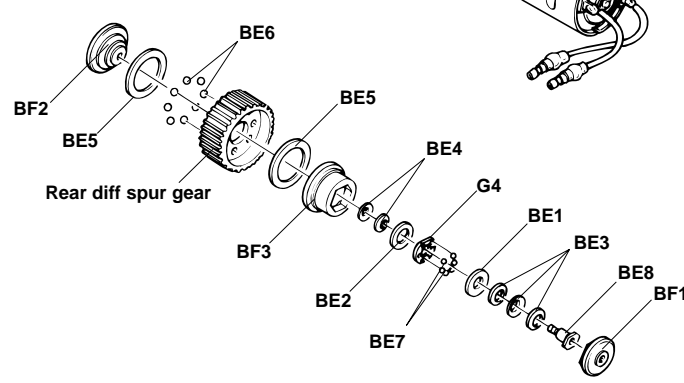
Receiver switch



<<Rear Gearbox>>



<<Rear differential>>



Power source: Tamiya Ni-Cd 7.2V Racing Pack battery